



# SpeechLine Digital Wireless SL TS 153 GN-L Set DW

## FEATURES

- Easy wireless charging
- Clear battery life indication via dedicated battery status LEDs
- Includes everything needed to install and use the wireless SL Tablestand 153-S DW
- Can be remote controlled with Sennheiser Control Cockpit

The wireless tablestand set SL TS 153 GN-L Set DW includes the SL Tablestand 153- DW, the MEG 14-40-L-II B gooseneck microphone, the SL Rack Receiver DW and everything needed for usage and installation.

The SL Tablestand 153-S DW is dedicated to speech. For a solid connection with the gooseneck microphone, an XLR 5 socket is featured.

Being utterly wireless, the SL Tablestand 153-S DW and the gooseneck with integrated LED ring are the perfect solution for ad hoc press conferences or podium discussions in any location.

The SL Tablestand 153-S DW can either be charged wirelessly or via USB. The wireless charging base CHG 2W for two mobile devices is available separately. The SL Tablestand 153-S DW provides clear battery life indication via dedicated battery status LEDs. The set comes with rechargeable accupacks with up to 10 hours of operating time.

All devices of the SL Tablestand 153-S DW Set can be monitored and controlled with the Sennheiser Control Cockpit.

## DELIVERY INCLUDES

- SL Tablestand 153-S DW
- MEG 14-40-L-II B gooseneck microphone with LED light ring
- BA 40 accupack
- SL Rack Receiver DW (incl. power supply)
- GA 4 rackmount kit
- Quick Guide
- Safety Guide
- USB cable



## SPECIFICATIONS

### System

AF frequency response	20 to 20,000 Hz
Dynamic range	> 120 dB (A)
THD (1 kHz)	typ. 0.1 %
Audio sampling	24 bit/48 kHz
Signal-to-noise ratio	> 90 dB (A)
Encryption	AES 256
RF frequency ranges	EU: 1,880 to 1,900 MHz USA: 1,920 to 1,930 MHz Brazil: 1,910 to 1,920 MHz Taiwan: 1,880 to 1,895 MHz Japan: 1,893 to 1,906 MHz
Modulation	GFSK with back channel
Transmission method	TDMA, space diversity
Latency	19 ms
Relative air humidity	max. 95 %
Temperature range*	Operation: -10 °C to 55 °C (14 °F to 131 °F) Storage: -20 °C to 70 °C (-4 °F to 158 °F)

\* The temperature range is influenced by the battery characteristics



# SpeechLine Digital Wireless

## SL TS 153 GN-L Set DW

### SPECIFICATIONS

#### SL Rack Receiver DW

RF sensitivity	< -90 dBm	
RF output power back channel	adaptive, up to 250 mW (country-specific)	
XLR output level, balanced	max. +18 dBu	
RCA output level, unbalanced	max. +6 dBu	
Audio effects	Low cut:	-3 dB at 120 Hz
	Equalizer:	7-band graphic equalizer with sound presets
	Sound profiles:	<ul style="list-style-type: none"> <li>• female voice</li> <li>• male voice</li> <li>• media</li> </ul>
Display	OLED	
Network protocol	Media Control Protocol, TCP/IP IPv4 (DHCP, manual)/ IPv6	
Power supply	12 V DC	
Current consumption	350 mA	
AF connection sockets	XLR/2 x RCA	
Antenna sockets	2 x reverse SMA	
Network sockets	RJ-45	
DC socket for power supply	hollow jack	
Weight	approx. 828 g	

#### Power supply units

	NT 12-4C	NT 2-3
Nominal input voltage	100 to 240 V-	
Power frequency	50 or 60 Hz	
Input current	max. 120 mA	
Nominal output voltage	12 V ===	
Standby power consumption	≤ 0.3 W	
Energy efficiency level	V	IV
Operating temperature	-10 °C to 55 °C (14 °F to 131 °F)	
Storage temperature	-20 °C to +70 °C (-4 °F to 158 °F)	
Relative air humidity	max. 95 %	
Weight	approx. 100 g	approx. 105 g

#### Accupack

BA 40	
Charging capacity	2200 mAh
Output voltage	3.6 V

#### SL Tablestand 153-S DW

AF frequency response	75 to 20,000 Hz
Max. input level	1.7 V RMS
Input impedance	30 kΩ
Power supply	BA 40 accupack (Li Ion 3.6 V)
Operating time	Accupack: typ. 10 h
Microphone connector	XLR-5F
Relative humidity	max. 95 %
Dimensions	166.7 x 120.2 x 47.9 mm (6.56" x 4.73" x 1.88")
Weight	approx. 660 g (without accupack)
Operating temperature	10 °C to 45 °C (50 °F to 113 °F)

#### MEG 14-40-L-II B

Pick-up pattern	cardioid
Frequency response	50 Hz - 20,000 Hz
Acoustic principle	gooseneck microphone (condenser)
Output impedance @ 1 kHz	< 100 Ω
Sensitivity	15 mV/Pa
Max. sound pressure level	130 dB @ 1 kHz < 3 %
Equivalent noise level	37 dB (CCIR) 26 dB (A)
Power supply microphone	12 V - 48 V phantom power (P 12 - P 48)
Power supply signal light ring	12 - 30 V DC 1 - 18 mA green
Current consumption	3 mA
Connector	XLR-5M
Temperature	Operation: 0 °C to 40 °C (32 °F to 104 °F) Storage: -25 °C to +70 °C (-13 °F to 158 °F)



# SpeechLine Digital Wireless SL TS 153 GN-L Set DW

## ARCHITECT'S SPECIFICATION

A wireless RF transmission system designed for presentation use and other applications where maximum speech intelligibility is required.

The system shall consist of a stationary receiver, a wireless tablestand and a condenser gooseneck microphone.

Operating in the license-free 1.9 GHz band (frequency ranges are between 1,880 and 1,930 MHz, depending on country-specific regulations), the system shall use automatic frequency management to determine the best free available frequency and to automatically start the transmission. Additionally, the system shall incorporate automatic interference management, allowing the transmitter and receiver to move to an undisturbed, compatible frequency with no audio signal interruption, should interference occur. Furthermore, advanced 256-bit AES encryption shall be used for secure wireless transmission.

The system's AF frequency response shall range from 20 – 20,000 Hz. The dynamic range shall be > 120 dB (A). Total harmonic distortion (THD) at 1 kHz shall be typical 0.1 %. Signal-to-noise ratio shall be > 90 dB (A). Latency shall be 19 ms. Operating temperature shall range from -10 °C to +55 °C (+14 °F to +131 °F).

The user interface of the receiver shall be operated by jog dial and OLED display. The receiver shall have dedicated pairing, escape and power buttons.

The receiver shall feature a low-cut filter as well as speech-optimized sound profiles or custom settings with a 7-band graphic equalizer. The receiver's RF sensitivity shall be -90 dBm. RF output power of the receiver's back channel shall be adaptive and up to 250 mW (country-specific). The receiver's audio output shall utilize a balanced XLR-3M socket with a maximum output of +18 dBu along with two unbalanced RCA sockets with a maximum output of +6 dBu. The receiver shall feature automatic gain optimization. Two reverse SMA sockets shall be provided for connecting the antennas. The receiver shall feature RJ-45 network connectivity compatible with IPv4 and IPv6 networks. For remote control the receiver shall have media control protocol integration.

The receiver shall operate on 12 V DC power supplied from the NT 12-4C power supply unit (100-240 V AC, 50/60 Hz, for use in the USA, the UK, and Europe) or the NT 2-3 power supply unit (100-240 V AC, 50/60 Hz, for use in countries other than the USA, the UK, and Europe). Power consumption shall be 350 mA. The dimensions shall be approximately 168 x 212 x 43 mm (6.61" x 8.35" x 1.69"). Weight shall be approximately 828 grams (1.83 lbs). The receiver shall be the Sennheiser SL Rack Receiver DW.

The wireless tablestand shall be designed for use with the Sennheiser MEG 14-40-L-II gooseneck microphone and be optimized for podium discussions, speeches and lectures. The tablestand shall be powered by one Sennheiser Lithium-Ion rechargeable accupack with a typical operating time of 10 hours and shall support wireless charging as well as charging via USB. In addition, the tablestand shall be capable of being remotely controlled and monitored via the Sennheiser Control Cockpit software.

The tablestand shall feature a 5-pin XLR socket for connection of XLR-5 gooseneck microphones with a logic control and a signal light ring. RF output power shall be adaptive and up to 250 mW (country-specific). The AF frequency response shall range from 75 – 20,000 Hz. The maximum input level shall be 1.7 Vrms and input impedance shall be 30 kΩ. The tablestand shall have automatic sensitivity adjustment.

Dimensions shall be 166.7 x 120.2 x 47.9 mm (6.56" x 4.73" x 1.88"). Weight (without accupack) shall be approximately 660 grams. Operating temperature shall range from 10 °C to 45 °C (50 °F to 113 °F).

The tablestand shall be the Sennheiser SL Tablestand 153-S DW.

The microphone suitable for use with the wireless tablestand shall be a condenser type with a cardioid pick-up pattern and a sensitivity of 15 mV/Pa. Maximum sound pressure level shall be 130 dB SPL. It shall have a frequency response of 50 Hz to 20,000 Hz. Nominal equivalent noise level shall be 26 dBA (37 dB weighted as per CCIR 468-3). Output shall be low impedance balanced (<100 ohms). Operating temperature shall be 0 °C to 40 °C (32 °F to 104 °F). The microphone shall operate from an external 12 V to 48 V DC phantom power source; the lighted LED ring shall operate from an external 12 – 30 V AC or DC power source current consumption shall be 3 mA. The microphone shall offer radio frequency interference (RFI) shielding against intermodulation from wireless equipment or devices. The microphone shall be a gooseneck design ensuring precise alignment of the microphone and noiseless operation. It shall incorporate a self-contained power module with an XLR-5M type connector at the base, which includes connection for the lighted LED ring power supply.

The gooseneck microphone shall be the Sennheiser MEG 14-40.

The wireless RF transmission system shall be the Sennheiser SpeechLine Digital Wireless SL TS 153 GN-L Set DW.



# SpeechLine Digital Wireless SL TS 153 GN-L Set DW

## PRODUCT VARIANTS

SL TS 153 GN-L Set  
DW-3-EU

Art. No. 506616

**-3 EU variant**

1,880 to 1,900 MHz

EU power supply

**Europe**

**India**

**Indonesia**

SL TS 153 GN-L Set  
DW-3-UK

Art. No. 506619

**-3 UK variant**

1,880 to 1,900 MHz

UK power supply

**UK**

**Hong Kong**

**Singapore**

**Malaysia**

SL TS 153 GN-L Set  
DW-3-AU

Art. No. 506622

**-3 AU variant**

1,880 to 1,900 MHz

AU power supply

**Australia**

SL TS 153 GN-L Set  
DW-4-EU

Art. No. 506635

**-4 EU variant**

1,920 to 1,930 MHz

EU power supply

**Latin America**

SL TS 153 GN-L Set  
DW-4-US

Art. No. 506632

**-4 US variant**

1,920 to 1,930 MHz

US power supply

**USA**

**Canada**

SL TS 153 GN-L Set  
DW-5-US

Art. No. 506655

**-5 US variant**

1,893 to 1,906 MHz

US power supply

**Japan**

SL TS 153 GN-L Set  
DW-6-US

Art. No. 506645

**-6 US variant**

1,880 to 1,895 MHz

US power supply

**Taiwan**

SL TS 153 GN-L Set  
DW-7-BR

Art. No. 506970

**-7 BR variant**

1,910 to 1,920 MHz

BR power supply

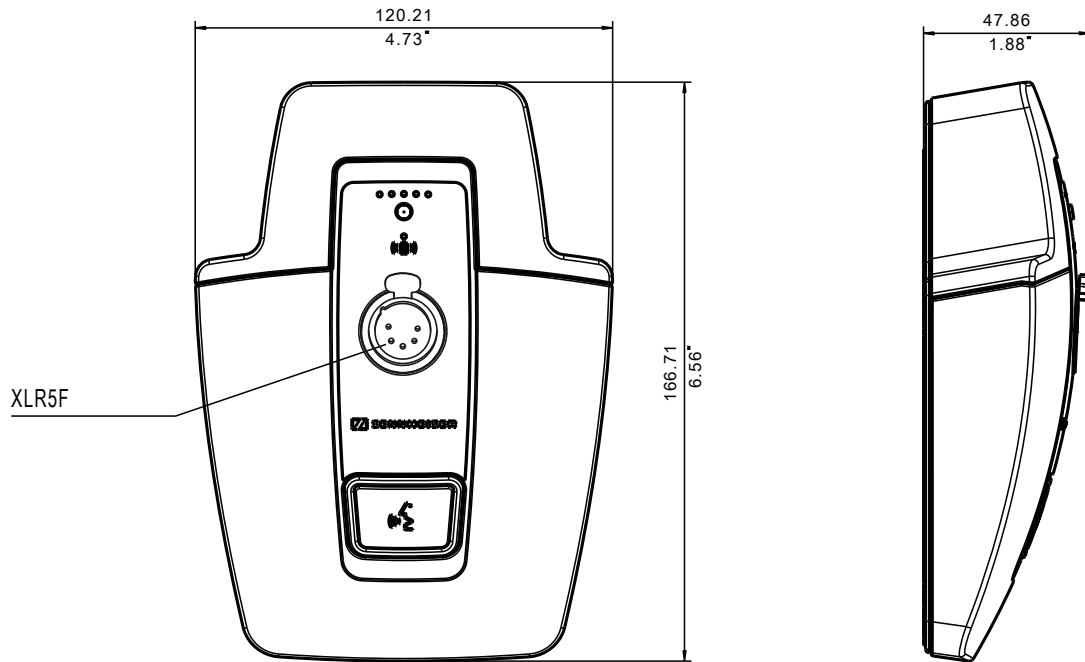
**Brazil**



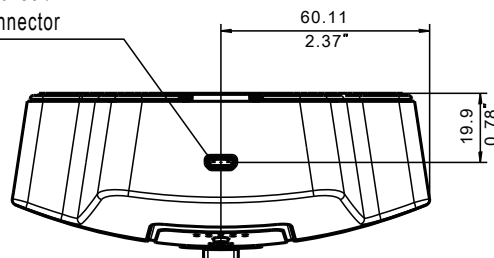
# SpeechLine Digital Wireless SL TS 153 GN-L Set DW

## DIMENSIONS

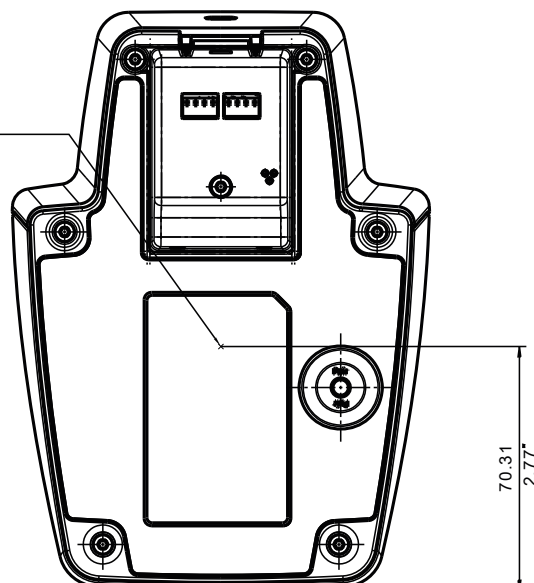
### SL Tablestand 153-S DW



USB2 Micro-USB-B Buchse /  
USB2 micro USB-B connector



Zentrum drahtlose  
Energieübertragung  
center wireless charging

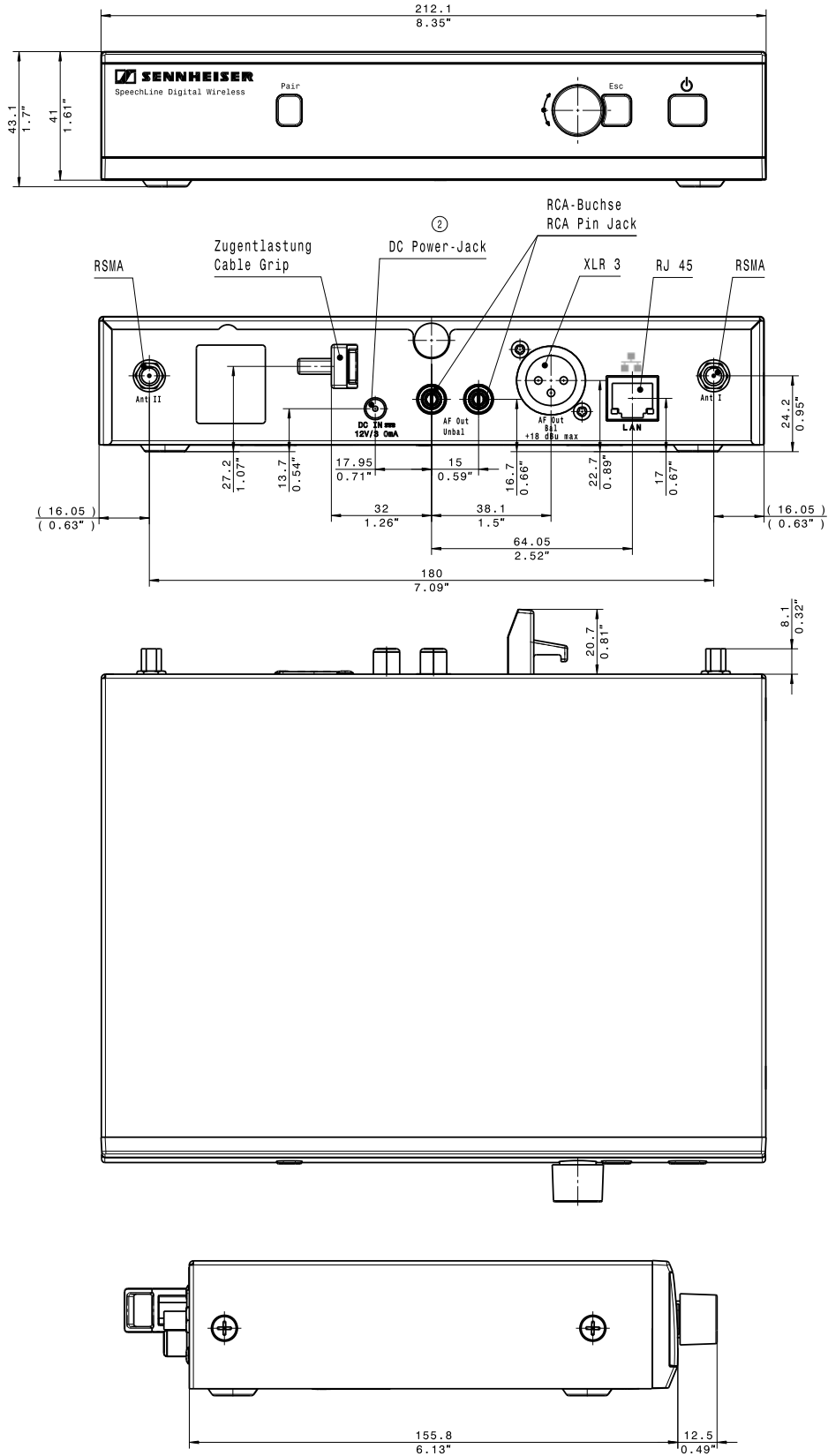




# SpeechLine Digital Wireless SL TS 153 GN-L Set DW

## DIMENSIONS

### SL Rack Receiver DW

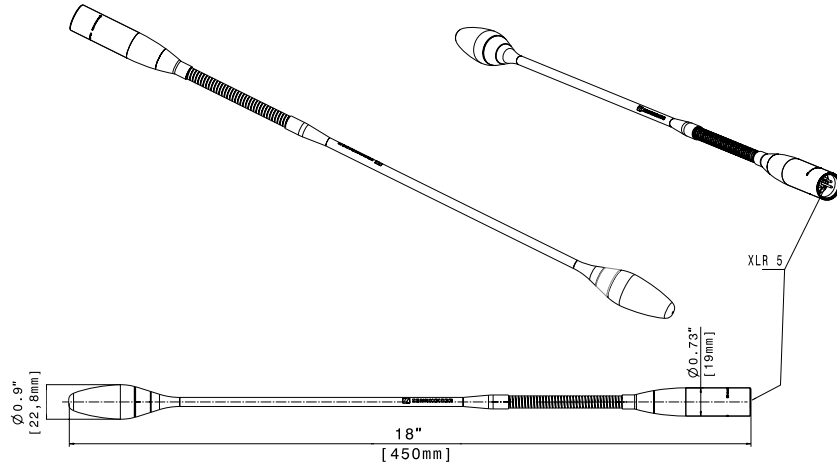




# SpeechLine Digital Wireless SL TS 153 GN-L Set DW

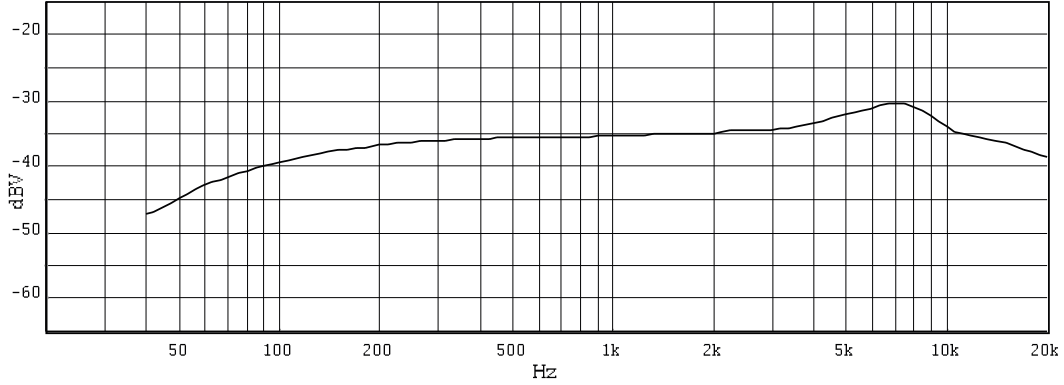
## DIMENSIONS

### MEG 14-40-L-II



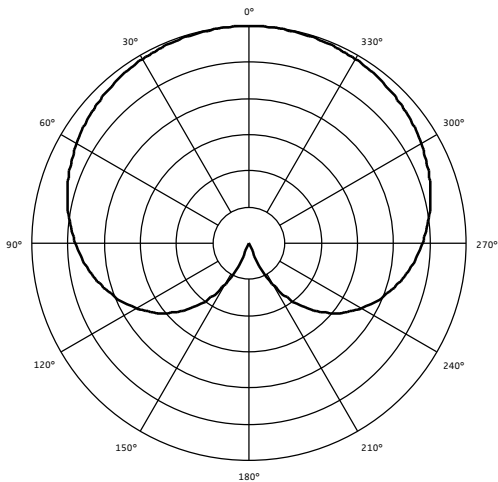
## FREQUENCY RESPONSE

### MEG 14-40-L-II



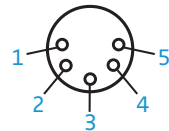
## POLAR DIAGRAM

### MEG 14-40-L-II



## PIN ASSIGNMENT

### MEG 14-40-L-II



- 1 Microphone Ground
- 2 Microphone +
- 3 Microphone -
- 4 LED Ground
- 5 LED: 12 – 30 V